

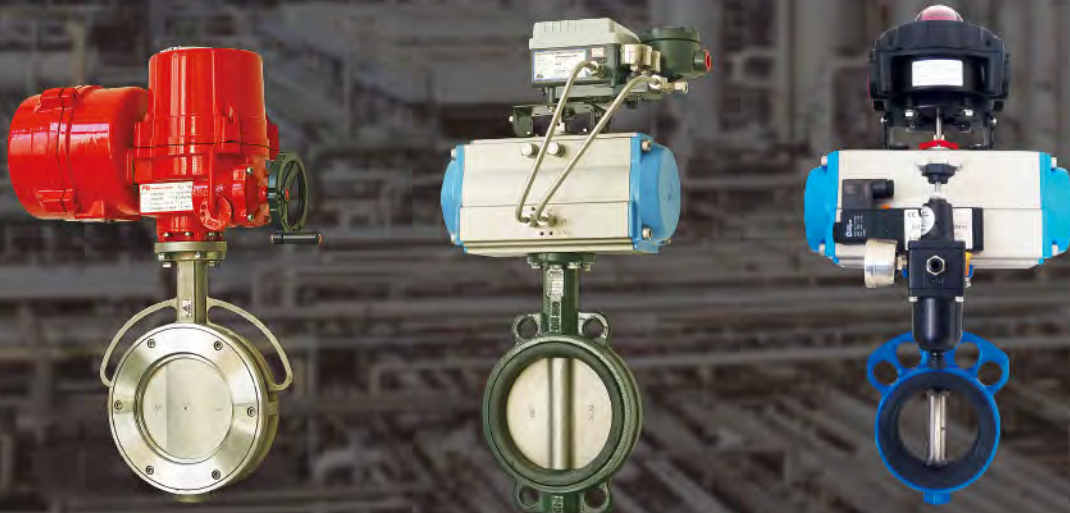


# **MODENTIC**

## **CONTROL VALVES**



# **Butterfly Valve**



**MODENTIC VALVE CORP.(NANJING)**



# Modentic

With a history of new product development and innovation that dates back to the company's inception in 1982, Modentic Group provides the products in a broad range of materials, sizes and pressure classes. Focused on various industrial sectors including Power Generation, Petroleum Refining, Oil & Gas, Food & Pharmacy and Commercial Construction, Modentic's highly engineered product solutions are widely specified and used throughout the world.

Partner with Modentic, you have chosen the reliable company of the valve design and engineering, we guarantee the durability and consistent quality of our products. The manufacturing documentation are always provided very detailed to ensure the traceability and easy maintenance, you never have to worry about the products do not perform as expected. We want you to be a life long partner of our dedicated work team, and we welcome your feedback about our performance all the time, which is an important extra value for our company.

## Product range

- API607 Fire Safe Ball Valves
- Metal Seated Ball Valves
- High Pressure Forged Ball Valves
- API6D Trunnion Mounted Ball Valves
- API609 Butterfly Valves
- API6D/API600/API603 Gate/Check Valves
- Bs1873 Globe Valves
- Pneumatic Actuated Valve
- Electric Actuated Valves

## CERTIFICATE



ISO9001



TS



API6D



API609



## Quality Management

The pursue for Modentic lies in exceeding the standard and request at domestic and overseas. Along with internal quality control system, we engage in carrying out the comprehensive quality management.

We are able to perform the whole process (from the raw materials to the finished products) and testing inspection independently with our advanced and comprehensive testing devices. And the valve inspection covers all kinds of testing, namely liquid penetrant test, magnetic powder inspection, ultrasonic examination, PMI, fire tests, high temperature test, low emission, high pressure gas test, life test, salt mist test, the conventional water pressure experiment and etc. In addition, each product delivered from Modentic has an independent identity code, which can accurately and quickly obtain all information from raw materials to finished products. In this way, the process control and management ability can be continuously improved through the advanced statistic analysis of data.

### In-house Quality Assurance on Highest Level

1. PMI
2. Dimension Examination
3. MT
4. Neutral Salt Spray Testing
5. Precision Machining
6. Fire Testing
7. Pressure Testing
8. Laser Marking
9. UT
10. Hardness Testing



**Modentic's quality assurance is dedicated to supplying zero defect valves to customers with reliable service life.**

## ■ Centric Butterfly Valve

### VF-765 Centric Butterfly Valve



Model: VF-765  
 Size: 2" -24"  
 Pressure rating:  
 PN6-PN25  
 125LB-150LB  
 Temperature: -10°C -110°C  
 (depend on the seat material)  
 End Connection: Wafer



Model: VF-765  
 Size: 2" -24"  
 Pressure rating:  
 PN6-PN25  
 125LB-150LB  
 Temperature: -10°C -110°C  
 (depend on the seat material)  
 End Connection: Lug



Model: VF-765  
 Size: 2" -24"  
 Pressure rating:  
 PN6-PN25  
 125LB-150LB  
 Temperature: -10°C -110°C  
 (depend on the seat material)  
 End Connection: Flange

### VF-775 Centric Butterfly Valve



Model: VF-775  
 Size: 1-1/2" -36"  
 Pressure rating:  
 PN6-PN25  
 125LB-150LB  
 Temperature: -20°C -204°C  
 (depend on the seat material)  
 End Connection: Wafer



Model: VF-775  
 Size: 1-1/2" -36"  
 Pressure rating:  
 PN6-PN25  
 125LB-150LB  
 Temperature: -20°C -204°C  
 (depend on the seat material)  
 End Connection: Lug



Model: VF-775  
 Size: 1-1/2" -36"  
 Pressure rating:  
 PN6-PN25  
 125LB-150LB  
 Temperature: -20°C -204°C  
 (depend on the seat material)  
 End Connection: Flange



## High Performance Butterfly Valve

### Double Eccentric Butterfly Valve ( VF - 8 2 4 )



Model: VF-824  
 Size: 2"-40"  
 Pressure rating:  
 PN6-PN40  
 125LB-600LB"  
 Temperature:  
 -50°C -250°C  
 (depend on the seat material)  
 End Connection: Wafer



Model: VF-824  
 Size: 2"-40"  
 Pressure rating:  
 PN6-PN40  
 125LB-600LB  
 Temperature:  
 -50°C -250°C  
 (depend on the seat material)  
 End Connection: Lug



Model: VF-824  
 Size: 2"-40"  
 Pressure rating:  
 PN6-PN40  
 125LB-600LB  
 Temperature:  
 -50°C -250°C  
 (depend on the seat material)  
 End Connection: Flange

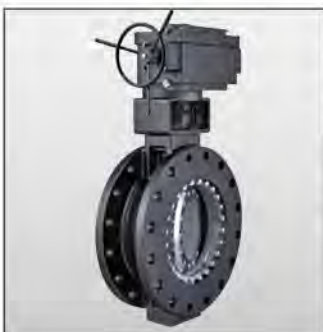
### Triple-eccentric Butterfly Valve ( VF - 8 3 4 )



Model: VF-834  
 Size: 2"-40"  
 Pressure rating :  
 PN6-PN40  
 125LB-600LB  
 Temperature :  
 -50°C -540°C  
 (depend on the seat material)  
 End Connection: Wafer



Model: VF-834  
 Size: 2"-40"  
 Pressure rating:  
 PN6-PN40  
 125LB-600LB  
 Temperature:  
 -50°C -540°C  
 (depend on the seat material)  
 End Connection: Lug



Model: VF-834  
 Size: 2"-40"  
 Pressure rating:  
 PN6-PN40  
 125LB-600LB  
 Temperature:  
 -50°C -540°C  
 (depend on the seat material)  
 End Connection: Flange



Model: VF-834  
 Size: 2"-40"  
 Pressure range:  
 PN6-PN40  
 125LB-600LB  
 Temperature:  
 -50°C -540°C  
 (depend on the seat material)  
 End Connection: B.W

## ■ Pneumatic Actuated Butterfly Valve

VF765 DA/SR



SIZE: 2" ~ 24"  
 Pressure rating: 125LB–150LB, PN6–PN25  
 Design according to ISO5211  
 End Connection: Wafer LUG Flange  
 Options: Double Acting Actuator, Spring Return Actuator, Solenoid, Limit Switch, Positioner, F.R, Gear Box.

VF775 DA/SR



SIZE: 2" ~ 24"  
 Pressure rating: 125LB–150LB, PN6–PN25  
 Design according to ISO5211  
 End Connection: Wafer LUG Flange  
 Options: Double Acting Actuator, Spring Return Actuator, Solenoid, Limit Switch, Positioner, F.R, Gear Box.

## ■ Electric Actuated Butterfly Valve

VF824E



SIZE: 2" ~ 40"  
 Pressure rating: 125LB–600LB, PN6–PN40  
 Design according to ISO5211  
 End Connection: Wafer, LUG, Flange  
 Options: Ex d II B T4, IP68, Auxiliary limit switches, Auxiliary torque switches, Extended travel angle, Potentiometer kit, Current transmitter, Remote position controller, HART etc.

VF834E



SIZE: 2" ~ 40"  
 Pressure rating: 125LB–600LB, PN6–PN40  
 Design according to ISO5211  
 End Connection: Wafer, LUG, Flange, Butt Weld  
 Options: Ex d II B T4, IP68, Auxiliary limit switches, Auxiliary torque switches, Extended travel angle, Potentiometer kit, Current transmitter, Remote position controller, HART etc.

## Material

Part Name	Material
Body	CI, DI, WCB , CF 8 , CF 8 M , CF 3 , CF 3 M etc
Disc	DI, CF8, CF 8 M , CF3, CF3M, Aluminium Bronze
Seat	EPDM, NBR , SILICON, VITON , PTFE
Stem	410, 416, 420 , 304, 316, 304L, 316L, 17–4PH etc

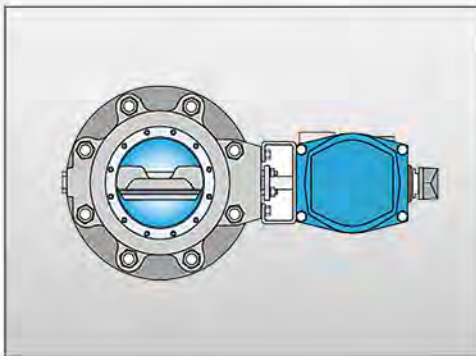


## Installation Manual

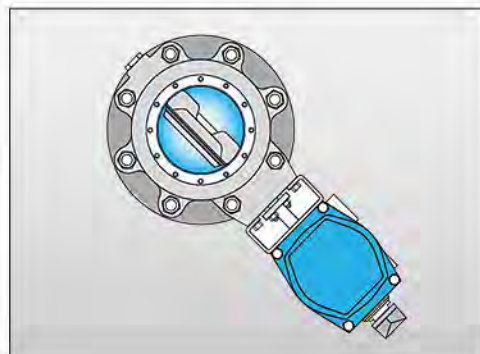
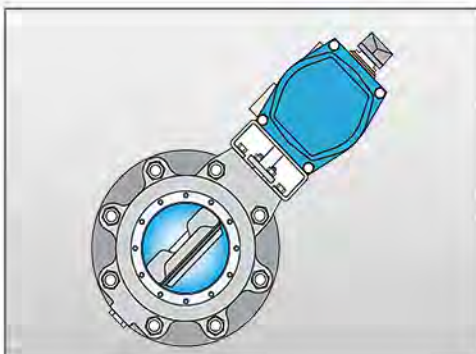
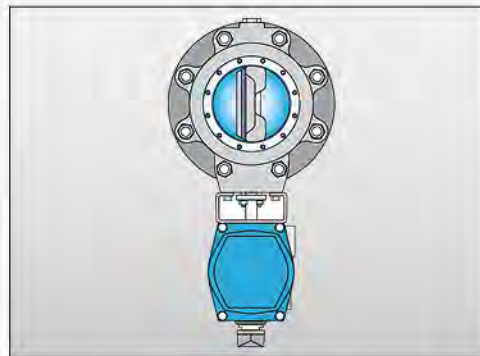
In any case, please keep the stem parallel to the earth when stalling butterfly Valve. If it does not work, please keeping the stem inclining some degrees to the ground. This can prevent fluid particles connecting with the stem directly. Besides, with regard to the large diameter valves, it is the whole radial bearing system that bears the weight of the disc. The above installing method can minimize the abrasion.

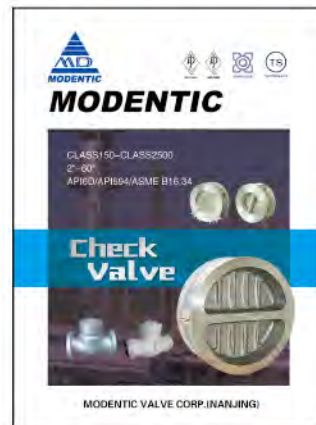
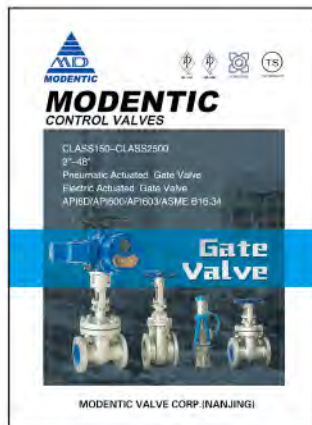
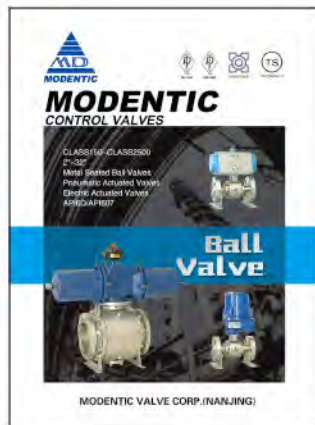
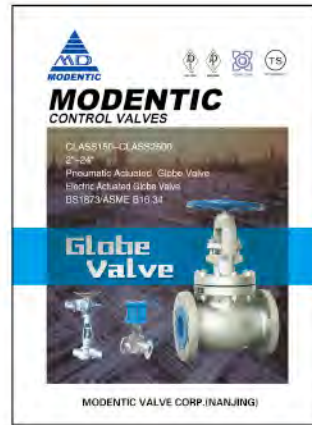
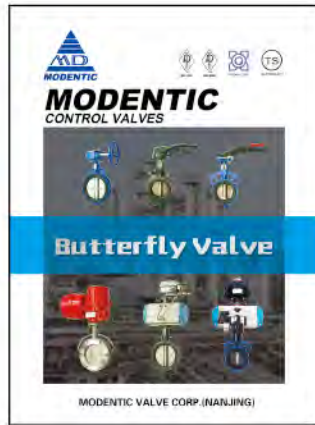
Though MD butterfly valve can provide bi-directional sealing, there is an arrow on the valve body, which indicates the installing direction should be according to the flow direction. For any application situation, the direction of valve should match to the function when the valve is ture off . And when valve is off, the high pressure side of the pipeline should face the side of stem directly.

Recommended



Prohibited





**MODENTIC VALVE CORP.(NANJING)**

ADD:71SIEMENS ROAD,JIANGNING ECONOMIC AND TECHNICAL DEVELOPMENT ZONE,NANJING,JIANGSU,CHINA

P.C.:211100

TEL:86-25-52101681 52103040

FAX:86-25-52152035 52103039

E-MAIL:isales@modentic.com.cn

<http://www.modenticvalve.com> <http://www.modentic.com.cn>

<http://www.valvebus.com>